

5

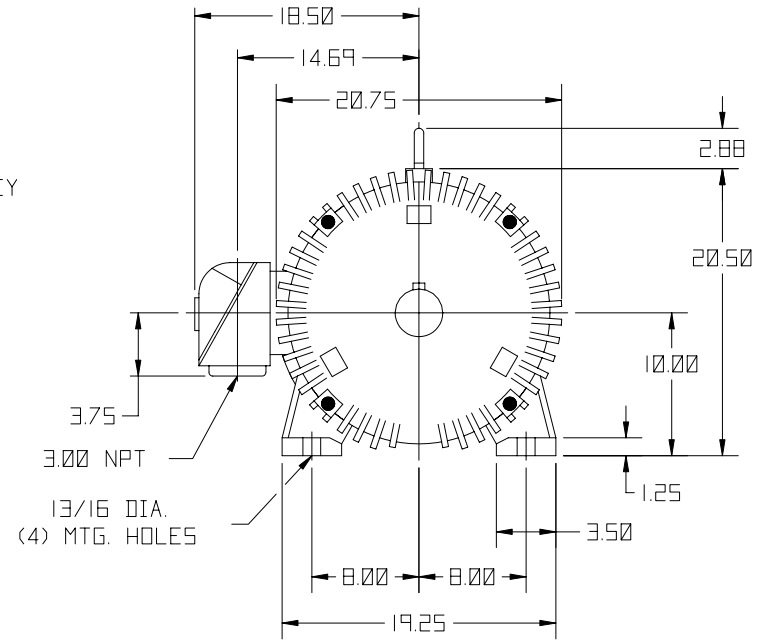
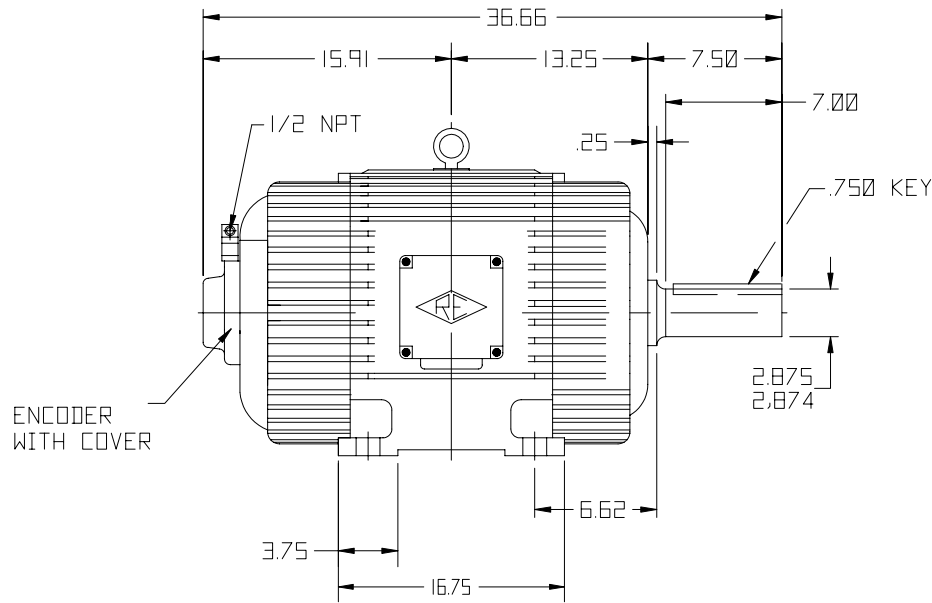
4

3

2

1

REVISIONS				
ZONE	LTR	DESCRIPTION	DATE	APPROVED
0		NEW		



RUNOUT TOLERANCES

SHAFT	.003
-------	------

FEET TO SHAFT CENTERLINE
TOLERANCE +.000 - .031

GENERAL TOLERANCES UNLESS SPECIFIED.
DECIMAL DIMENSIONS: ± .030.

FRAME	2F
404T	12.25
405T	13.75

SPECIAL APPLICATION
FOOT MOUNTED PHASOR MOTOR
SQUIRREL CAGE TENV

TYPE - A000 STYLE - P80

UNIT SHOWN IN ASSEMBLY POSITION A101-F1.

NOTE: EYEBOLT IS FOR LIFTING REULAND MOTOR ONLY.

MACH. TOLERANCE UNLESS OTHERWISE SPECIFIED FRACTIONS ± 1/64 ANGLES ± 0° 30' .X ± .015 .XX ± .010 .XXX ± .005 KWY. WIDTH + .002 - 0 PATTERN NUMBER:	DRAWN	8/4/99	b1f	REULAND ELECTRIC CO. INDUSTRY, CALIF. HOWELL, MICH. CINCINNATI, OHIO
	CHECK		b1f	
	APPR.			
MATERIAL:	SIZE		CODE IDENT. NO.	RDAP1-2562
	8			
	SCALE		SHEET 1 OF 2	

A