



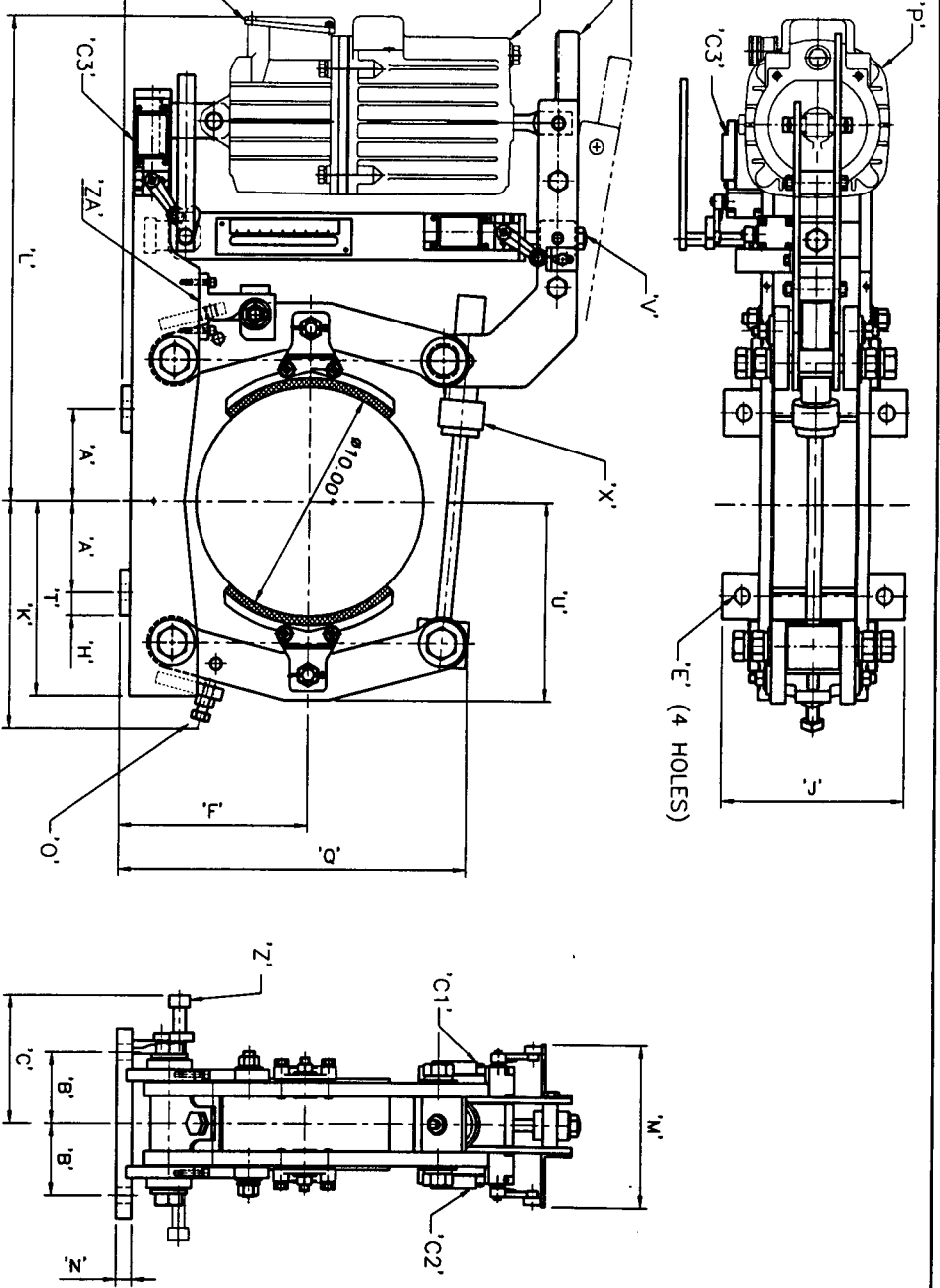
REFERENCE
902205

TITLE
TYPE 10" MBT/E-ED30/5S(A)(AE)(LHR)(3LS)
SHOE BRAKE

DATE
DEC. 17/98 R.B.

REVISION No & DATE
2

PAGE 1 OF 1



- 'A' = 4.0"
- 'B' = 3.13"
- 'D' = Ø10.0"
- 'E' = 0.69" DIA
- 'F' = 8.38"
- 'H' = 1.0"
- 'J' = 8.0"
- 'K' = 10.0"
- 'L' = 21.5"
- 'M' = 7.0"
- 'N' = 0.50"
- 'O' = 15.38"
- 'R' = 22.5"
- 'T' = 8.5"
- 'U' = 8.6"
- 'V' = SHOE CLEARANCE EQUALISING ADJUSTER
- 'P' = HY-THRUST ACTUATOR (Ed30/5S)
- 'S' = MANUAL RELEASE LEVER
- 'W' = EXTERNAL TORQUE SPRING
- 'X' = SELF LUBRICATING BUSHES
- 'Z' = SELF ADJUSTMENT FOR LINING WEAR
- 'ZA' = HAND RELEASE (LATCHING)
- 'Z' = AUTO-EQUALIZING ASSEMBLY
- 'C'1' = LIMIT SWITCH: BRAKE RELEASE
- 'C'2' = LIMIT SWITCH: BRAKE SET
- 'C'3' = LIMIT SWITCH: LATCHING