



REFERENCE

902204

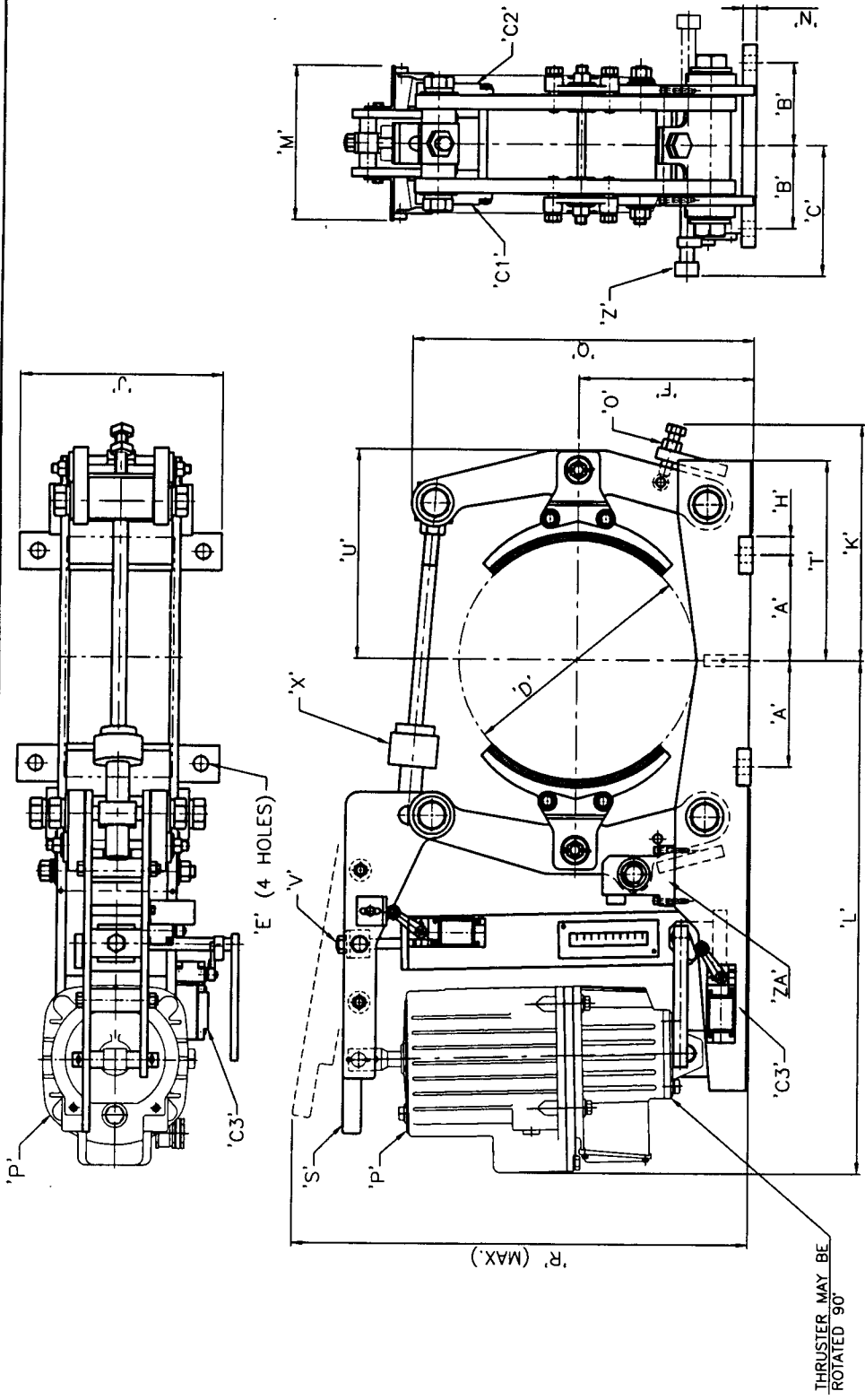
TITLE

TYPE 13"MBT/E-Ed50/6S(AA)(AE)(LHR)(3LS)
SHOE BRAKE

ISSUE DATE
DEC. 17/98 R.G.

REVISION No & DATE
2

PAGE 1 OF 1



- 'A' = 5.75"
- 'B' = 4.5"
- 'C' = 5.75"
- 'D' = Ø13.0" X 5.75" WIDE
- 'E' = 0.81" DIA
- 'F' = 9.88"
- 'H' = 1.0"
- 'J' = 11.0"
- 'K' = 12.5"
- 'L' = 27.5"
- 'M' = 8.5"
- 'N' = 0.75"
- 'Q' = 19.0"
- 'R' = 25.0"
- 'T' = 10.88"
- 'U' = 11.25"
- 'O' = SHOE CLEARANCE EQUALISING ADJUSTER
- 'P' = HY-THRUST ACTUATOR (Ed50/6S)
- 'S' = MANUAL RELEASE LEVER
- 'V' = EXTERNAL TORQUE SPRING
- 'W' = SELF LUBRICATING BUSHES
- 'X' = SELF ADJUSTMENT FOR LINING WEAR
- 'Z' = HAND RELEASE (LATCHING)
- 'ZA' = AUTO-EQUALIZING ASSEMBLY
- 'C1' = LIMIT SWITCH: BRAKE RELEASE
- 'C2' = LIMIT SWITCH: BRAKE SET
- 'C3' = LIMIT SWITCH: LATCHING