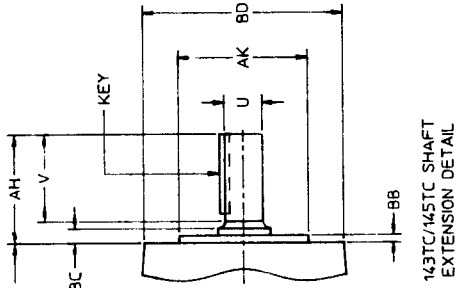
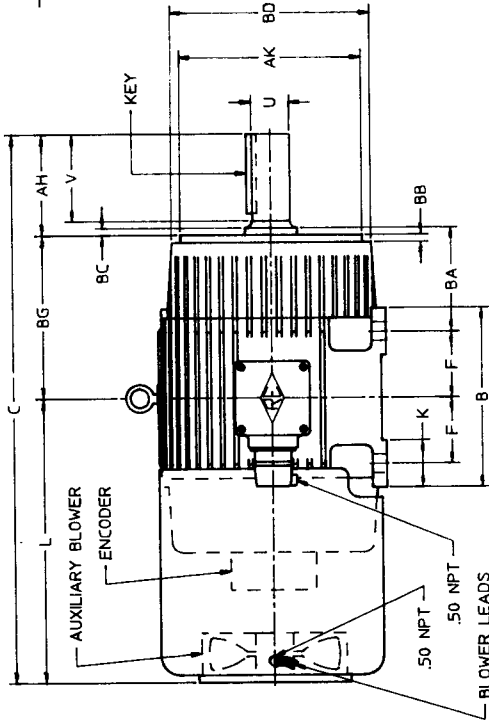


* MOUNTING HOLES FOR 143TC/145TC MOTORS ARE LOCATED ON VERTICAL AND HORIZONTAL CENTERLINES.



143TC/145TC SHAFT EXTENSION DETAIL



STANDARD APPLICATION
 FOOT MOUNTED MOTOR - Series 100 VECTOR DUTY
 SQUIRREL CAGE - AUXILIARY COOLED
 NEMA 'C' FACE MOUNTING
 TYPE - B050 STYLE - PLO
 UNIT SHOWN IN ASSEMBLY POSITION A101-F1.
 NOTE: EYEBOLT IS FOR LIFTING REULAND MOTOR ONLY.
 ALL DIMENSIONS SHOWN ARE IN INCHES.

SHAFT TOLERANCES		
DESCRIPTION	14250 DIA. OVER & UNDER	14250 DIA. .003 TR
SHAFT RUNOUT	.002 TR	.003 TR
SHAFT DIAMETER	+0.000	+0.000
	-0.005	-0.001

FACE TOLERANCES		
DESCRIPTION	PLOT IT & UNDER	PLOT OVER IT
PLOT DIA. (HALE)	+0.00	+0.00
	-0.03	-0.05
FACE RUNOUT	.004 TR	.007 TR
PLOT ECCENTRICITY	.004 TR	.007 TR

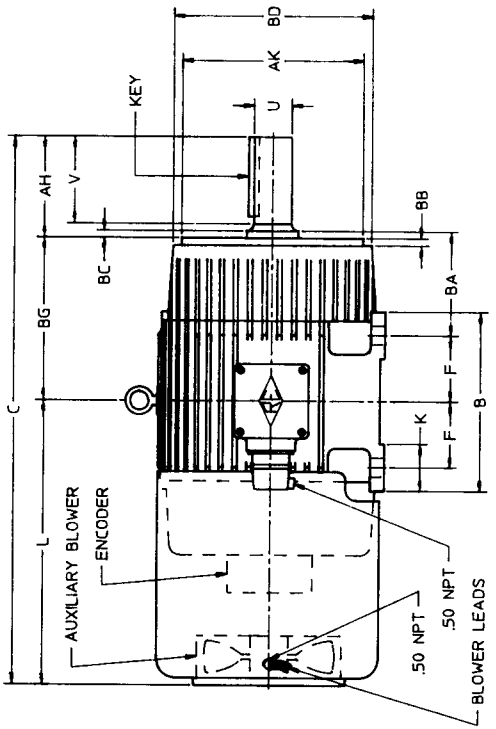
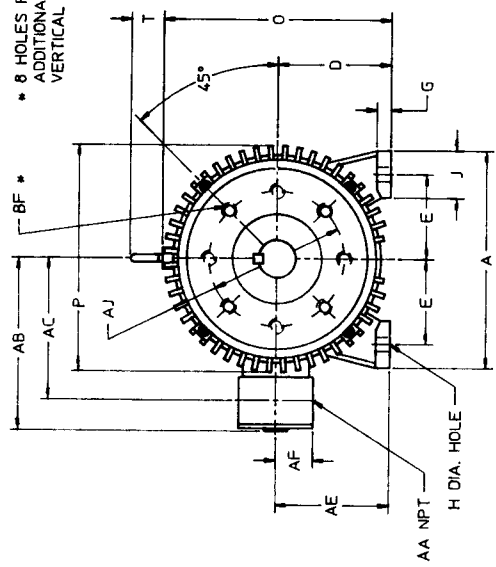
FEET TO SHAFT CENTERLINE TOLERANCE: +.000 -.031
 GENERAL TOLERANCES UNLESS SPECIFIED.
 DECIMAL DIMENSIONS: ± 0.030.
 FRACTION DIMENSIONS: ± 1/64.

FRAME	A	B	C	D	E	F	G	H	J	K	L	O	P	T	U
143TC	6.75	6.00	18.81	3.50	2.75	2.00	.31	11/32	1.50	2.00	11.81	7.50	8.00	2.12	.8750
145TC					2.50										
182TC	8.75	6.75	20.56	4.50	3.75	2.25	.38	13/32	2.00	2.12	12.31	9.25	9.50	2.12	1.1250
184TC					2.75										
213TC	10.25	7.00	21.56	5.25	4.25	2.75	.62	13/32	1.75	1.75	11.94	11.00	11.36	2.12	1.3750
215TC			8.50	23.06		3.50									
254TC	12.25	10.50	27.81	6.25	5.00	4.12	.75	17/32	2.25	2.25	15.44	12.94	13.25	2.12	1.6250
256TC			12.25	29.56		5.00					16.31				
284TC			12.25	30.69		4.75					16.56				1.875
286TC	13.75	13.75	32.19	7.00	5.50	5.50	.94	17/32	2.75	2.75	17.31	14.50	14.88	2.75	1.6250
284TSC			12.25	29.31		4.75					16.56				
286TSC			13.75	30.81		5.50					17.31				1.6250

FRAME	V	KEY	AA	AB	AC	AE	AF	AH	AJ	AK	BA	BB	BC	BD	BF	BG
143TC	2.25	.19	.75	6.38	5.06	3.50	1.75	2.12	5.88	4.500	2.25	.16	-.13	6.50	3/8-16 UNIC	4.88
145TC																
182TC	2.75	.25	.75	7.19	5.88	4.50	1.75	2.62	7.25	8.500	2.75	.25	-.13	9.00	1/2-13 UNIC	5.62
184TC																
213TC	3.12	.31	1.00	8.38	7.06	5.25	1.75	3.12	7.25	8.500	3.50	.25	-.25	9.00	1/2-13 UNIC	6.50
215TC																
254TC	3.75	.38	1.25	10.31	8.31	6.25	3.00	3.75	7.25	8.500	4.25	.25	-.25	10.00	1/2-13 UNIC	8.62
256TC																9.50
284TC								4.38								9.75
286TC	4.38	.50	1.50	11.06	9.06	7.00	3.00	3.00	9.00	10.500	4.75	.25	-.25	11.00	1/2-13 UNIC	10.50
284TSC								3.00								9.75
286TSC	3.00	.38														10.50

REULAND ELECTRIC
 INDUSTRY, CA HOWELL, MI CINCINNATI, OH
 DRAWN 17MAR94 JULY DWG. NO.
 APPR. 17MAR94 RDBP1-2203
 FRONT
 ♦ REVISED ● ADDED ○ REPLACES: NONE

* 8 HOLES FOR 364TC-365TSC FRAMES ONLY.
ADDITIONAL 4 HOLES ON HORIZONTAL AND
VERTICAL CENTERLINES.



STANDARD APPLICATION
FOOT MOUNTED MOTOR - Series 100 VECTOR DUTY
SQUIRREL CAGE - AUXILIARY COOLED
NEMA "C" FACE MOUNTING
TYPE - BOSO STYLE - PL0
UNIT SHOWN IN ASSEMBLY POSITION A101-F1.
NOTE: EYEBOLT IS FOR LIFTING REULAND
MOTOR ONLY.
ALL DIMENSIONS SHOWN ARE IN INCHES.

SHAFT TOLERANCES		
DESCRIPTION	1/6250 DIA. & UNDER	OVER 1/6250 DIA.
SHAFT RUNOUT	.002 TR	.003 TR
SHAFT DIAMETER	+0.000 -.0005	+0.000 -.001

FACE TOLERANCES		
DESCRIPTION	PILOT 1" & UNDER	PILOT OVER 1"
PILOT DIA. (HALE)	+0.000 -.003	+0.000 -.005
FACE RUNOUT	.004 TR	.007 TR
PILOT ECCENTRICITY	.004 TR	.007 TR

FEET TO SHAFT CENTERLINE TOLERANCE: +.000 -.031.
GENERAL TOLERANCES UNLESS SPECIFIED.
DECIMAL DIMENSIONS ± 0.030.
FRACTION DIMENSIONS ± 1/64.

FRAME	A	B	C	D	E	F	G	H	J	K	L	O	P	T	U
324TC	13.75	33.31			5.25	6.00	21/32	3.25	3.25	17.56	16.62	17.06	2.75		2.925
326TC	15.75	34.81	8.00	6.25	5.25	6.00	1.00	3.25	3.25	17.56	18.31	16.62	17.06	2.75	1.875
324TSC	13.75	31.81			5.25	6.00				18.31	17.62				1.875
326TSC	15.25	33.31			6.00	6.00				18.31	17.62				2.375
365TC	17.75	36.00	9.00	7.00	6.12	6.12	1.12	3.75	3.75	18.12	17.62	18.69	19.12	2.888	1.875
364TSC	15.00	32.88			5.62	6.12				18.12	18.12				1.875
365TSC	16.00	33.88			6.12	6.12				18.12	18.12				1.875

FRAME	V	KEY	AA	AB	AC	AE	AF	AH	AJ	AK	BA	BB	BC	BD	BF	BG
324TC	5.00							5.00	11.00	12.500	5.25	.25	-.25	13.75	5/8-11 UNC	10.75
326TC		.50	2.00	14.19	11.62	8.00	4.50	3.50	11.00	12.500	5.25	.25	-.25	13.75	5/8-11 UNC	11.50
324TSC	3.50								11.00	12.500	5.25	.25	-.25	13.75	5/8-11 UNC	10.75
326TSC									11.00	12.500	5.25	.25	-.25	13.75	5/8-11 UNC	11.50
364TC	5.62		3.00	15.19	12.62	9.00	4.50	5.62	11.00	12.500	5.88	.25	-.25	15.38	5/8-11 UNC	11.75
365TC									11.00	12.500	5.88	.25	-.25	15.38	5/8-11 UNC	11.75
364TSC	3.50	.50						3.50	11.00	12.500	5.88	.25	-.25	15.38	5/8-11 UNC	11.75
365TSC									11.00	12.500	5.88	.25	-.25	15.38	5/8-11 UNC	12.25

REULAND ELECTRIC
INDUSTRY, CA HOWELL, MI CINCINNATI, OH
DRAWN 17MAR94 JLW
APPR. 17MAR94 [Signature]
DWG. NO. RDBP1-2203
@BAGS
REVISED [] ADDED [] REPLACES: NONE