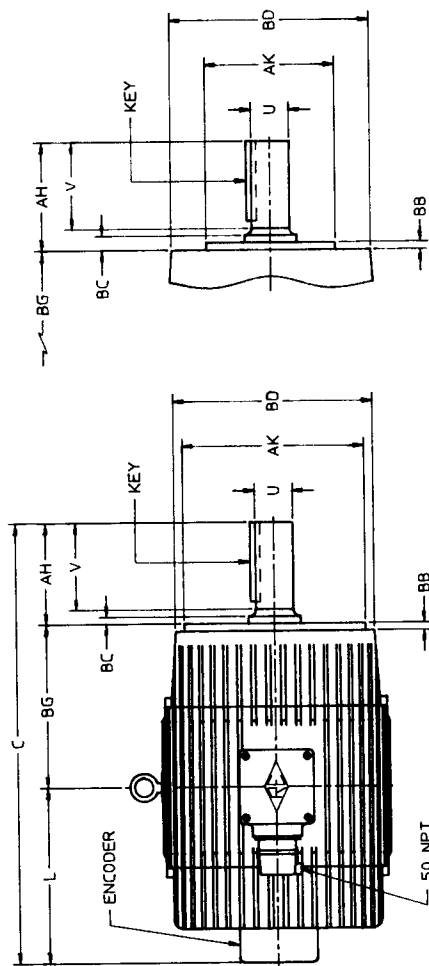
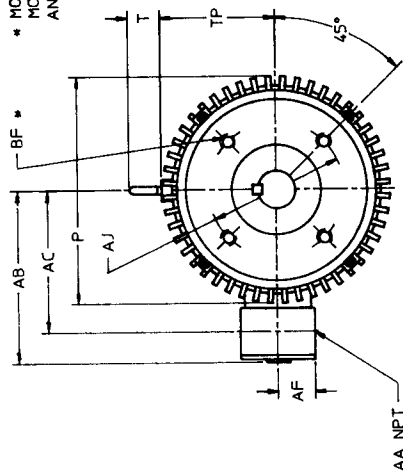


* MOUNTING HOLES FOR 143TC/145TC MOTORS ARE LOCATED ON VERTICAL AND HORIZONTAL CENTERLINES.



143TC/145TC SHAFT EXTENSION DETAIL

STANDARD APPLICATION
 ROUND BODY MOTOR - Series 100 VECTOR DUTY
 SQUIRREL CAGE - TENV
 NEMA "C" FACE MOUNTING

TYPE - COSO STYLE - P80

UNIT SHOWN IN ASSEMBLY POSITION A102-F1.

NOTE: EYEBOLT IS FOR LIFTING REULAND MOTOR ONLY.

ALL DIMENSIONS SHOWN ARE IN INCHES.

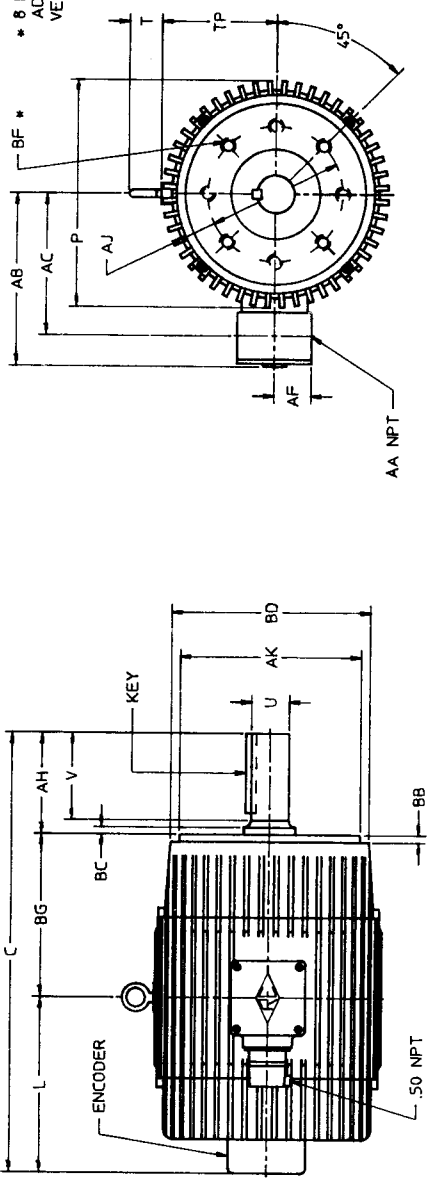
SHAFT TOLERANCES	
DESCRIPTION	OVER 14250 DIA & UNDER 14250 DIA.
SHAFT RUNOUT	.002 TR .003 TR
SHAFT DIAMETER	+0.000 -0.005 +0.000 -0.001

FACE TOLERANCES		
DESCRIPTION	PILOT H* & UNDER	PILOT OVER H*
PILOT DIA. (MALE)	+0.000 -0.003	+0.000 -0.005
FACE RUNOUT	.004 TR	.007 TR
PILOT ECCENTRICITY	.004 TR	.007 TR

GENERAL TOLERANCES UNLESS SPECIFIED.
 DECIMAL DIMENSIONS: ± 0.030.
 FRACTION DIMENSIONS: ± 1/64.

FRAME	C	L	P	T	TP	U	V	KEY	AA	AB	AC	AF	AH	AJ	AK	BB	BC	BD	BF	BG
143TC	13.56	6.56	8.00	2.12	4.00	.8750	2.25	.19	.75	6.38	5.06	1.75	2.12	5.88	4.500	.16	-.13	6.50	3/8-16 UNC	4.88
145TC																				
184TC	15.19	6.94	9.50	2.12	4.75	1.1250	2.75	.25	.75	7.19	5.88	1.75	2.62	7.25	8.500	.25	-.13	9.00	1/2-13 UNC	5.62
213TC	17.19	7.56	11.38	2.12	5.75	1.3750	3.12	.31	1.00	8.38	7.06	1.75	3.12	7.25	8.500	.25	-.25	9.00	1/2-13 UNC	6.50
254TC	22.06	9.69		2.12	6.69	1.6250	3.75	.38	1.25	10.31	8.31	3.00	3.75	7.25	8.500	.25	-.25	10.00	1/2-13 UNC	8.62
256TC	23.81	10.56											4.38							9.75
284TC	24.94	10.81					1.875	.50												10.50
286TC	26.44	11.56																		9.75
284TSC	23.56	10.81	14.88	2.75	7.50				150	11.06	9.06	3.00	3.00	9.00	10.500	.25	-.25	11.00	1/2-13 UNC	10.50
286TSC	25.06	11.56					1.6250	.38					3.00							10.50

REULAND ELECTRIC
 INDUSTRY, CA HOWELL, MI CINCINNATI, OH
 DRAWN 19MAR94 JLW DWG. NO. R0CP1-2204
 APPR. 19MAR94 [Signature] FROMT
 ♦ REVISED | ● ADDED | REPLACES: NONE



SHAFT TOLERANCES	
DESCRIPTION	1.6250 DIA. OVER & UNDER
SHAFT RUNOUT	.002 TR
SHAFT DIAMETER	+0.0000 -0.0005 -0.001

FACE TOLERANCES	
DESCRIPTION	PILOT 1" & UNDER
PILOT DIA. UNLESS OTHERWISE SPECIFIED	+0.000 -0.003
FACE RUNOUT	.004 TR
PILOT ECCENTRICITY	.004 TR
	.007 TR

GENERAL TOLERANCES UNLESS SPECIFIED.
 DECIMAL DIMENSIONS: ± 0.030.
 FRACTION DIMENSIONS: ± 1/64.

STANDARD APPLICATION
 ROUND BODY MOTOR - Series 100 VECTOR DUTY
 SQUIRREL CAGE - TENN
 NEMA 'C' FACE MOUNTING
 TYPE - COSO
 STYLE - P80
 UNIT SHOWN IN ASSEMBLY POSITION A102-F1.
 NOTE: EYEBOLT IS FOR LIFTING REULAND MOTOR ONLY.
 ALL DIMENSIONS SHOWN ARE IN INCHES.

FRAME	C	L	P	T	TP	U	V	KEY	AA	AB	AC	AF	AH	AJ	AK	BB	BC	BD	BF	BG
324TC	27.25	11.50				2.125	5.00	.50	2.00	14.19	11.62	4.50	5.00	11.00	12.500	.25	-.25	13.75	5/8-11 UNC	10.75
326TC	28.75	12.25	7.06	2.75	8.62	1.875	3.50						3.50							11.50
324TSC	25.75	11.50																		10.75
326TSC	27.25	12.25																		11.50
364TC	29.50	12.12				2.375	5.62	.62	3.00	15.19	12.62	4.50	5.62	11.00	12.500	.25	-.25	15.38	5/8-11 UNC	11.75
365TC	30.50	12.62	19.12	2.88	9.69								3.50							12.25
364TSC	27.38	12.12				1.875	3.50	.50												11.75
365TSC	28.38	12.62																		12.25

REULAND ELECTRIC
 INDUSTRY, CA HOWELL, MI CINCINNATI, OH
 DRAWN 19MAR94 JLV
 APPR 19MAR94 [Signature]
 DWG. NO. RDCP1-2204
 BAGS
 REVISIONS: ADDED REPLACES: NONE