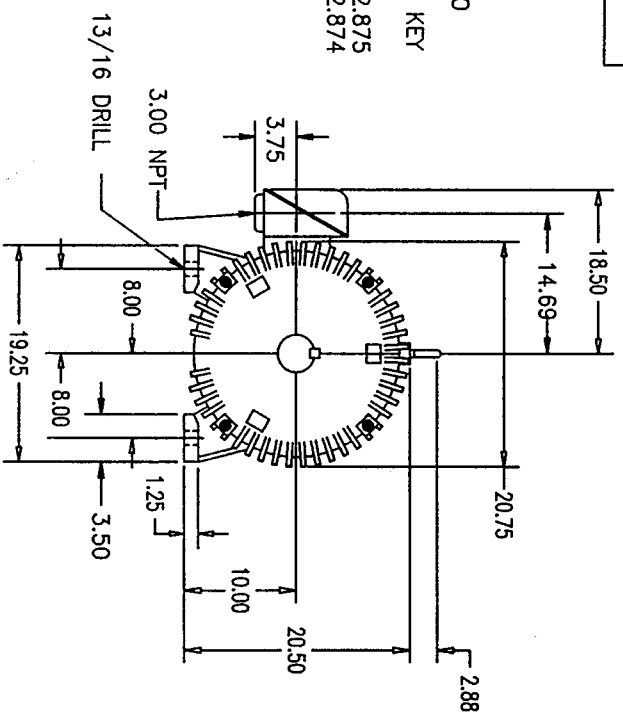
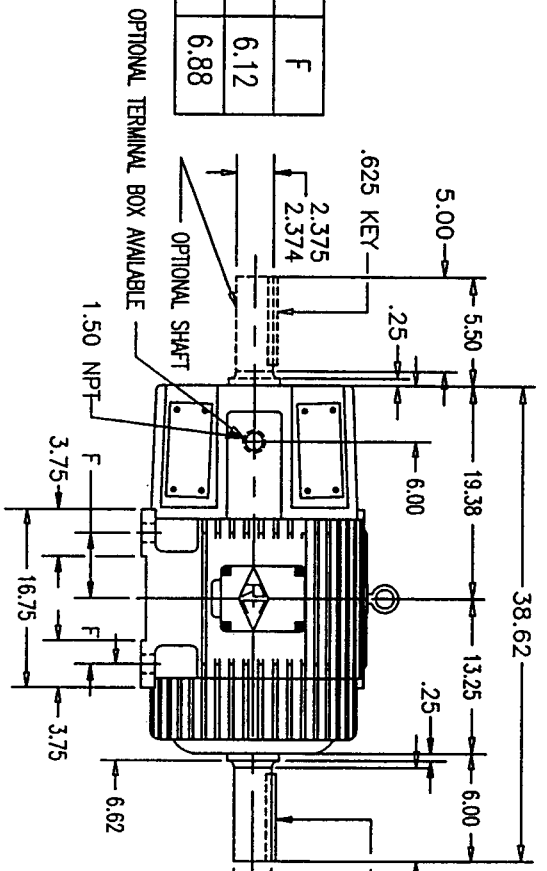


THIS DIM. PRINT APPLIES TO 404TX/405TX MOTORS PURCHASED AFTER NOVEMBER 7, 1998.
 MOTORS PURCHASED BEFORE THIS DATE ARE PER PRINT # RDA21-0006

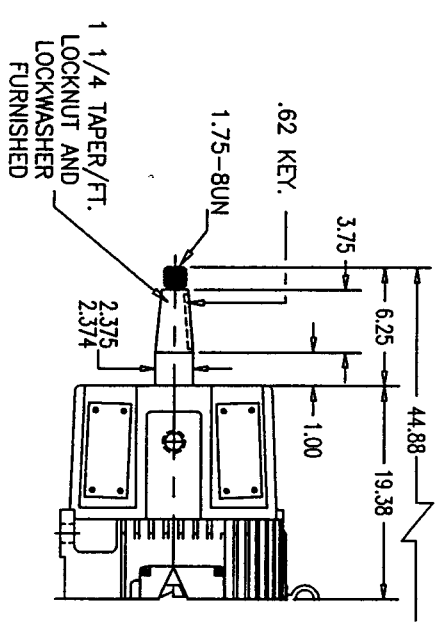
ZONE/LTR	REVISIONS	DATE	APPROVED
0	NEW		
	DESCRIPTION		

Frame	F
404TX	6.12
405TX	6.88



STANDARD APPLICATION

FOOT MOUNTED MOTOR - WOUND ROTOR
 TYPE - A000 STYLE - WBO/WBS/WBT
 UNIT SHOWN IN ASSEMBLY POSITION A101-F1.
 NOTE: EYEBOLT IS FOR LIFTING REULAND MOTOR ONLY.
 RUNOUT TOLERANCES
 SHAFT .003
 FEET TO SHAFT CENTERLINE
 TOLERANCE +.000 - .031



MACH. TOLERANCE UNLESS OTHERWISE SPECIFIED	DRAWN	11/7/98	KUMAR	REULAND ELECTRIC CO.
FRACTIONS ± 1/64	CHECK		KUMAR	INDUSTRY, CALIF. HOWELL, MICH. CINCINNATI, OHIO
ANGLES ± 0' 30"	APPR.			WOUND ROTOR MOTOR, FOOTED
X ± .015				404TX/405TX NEMA FRAME
XX ± .010				
XXX ± .005				
KWY. WIDTH + .002 - 0	MATERIAL:			SIZE CODE IDENT. NO. RDA21-3335
PATTERN NUMBER:				SCALE NONE SHEET